

HWT-M2241-10-QLI-E2(8-32mm)(4mm)

2T 4MP Dual-Lens AI Bullet Camera



Features

- ▶ 2 TOPS computing power
- ▶ Supports omni-data structuring, multi-algorithm switchover, behavior analysis, crowd flow analysis, target and person detection, object (motor vehicle, non-motorized vehicle, and pedestrian) classification, vehicle recognition, vehicle event detection, and traffic flow statistics
- ▶ Supports backlight adaptation and overcast adaptation
- ▶ 1/1.8" CMOS sensor
- ▶ Online loading and upgrade of algorithms
- ▶ 120 dB super wide dynamic range (WDR), ensuring that both foreground and background objects are clearly identified in environments with sharp light contrast
- ▶ Supports switchover among multiple algorithms
- ▶ Supports omni-data structuring

Technical Specifications

Model		HWT-M2241-10-QLI-E2(8-32mm)(4mm)				
Major Specifications						
Main control	Computing power	2 TOPS				
	Memory	DDR4 2.0 GB				
	Flash type	eMMC (secondary)+SPI NAND flash (primary) 8704.0 MB				
	Max capacity	MicroSD card slot that supports microSDHC/microSDXC; maximum memory card capacity: 256 GB				
Camera	Focal length	Primelens:4mm Zoomlens:8-32mm				
	Max Aperture	Prime lens: F1.0 (±10%) Zoom lens: F1.63 (W) to F1.68 (T)				
	Image sensor	1/1.8" CMOS/Wide-angle prime lens: 4MP: 2560(H)*1440(V) Zoom lens: 4MP: 2560(H)*1440(V)				
	Angle of view	Prime lens: 95° x 50° Zoom lens: Horizontal: 15.1° (T) to 39.9° (W); of view (FoV) deviation: ±5%				
	IR range	60m				
	Illumination distance	20m				
	Digital zoom/Optical zoom	16X/4X				
	DORI (Complied to the EN 62676-4)		D(m)	O(m)	R(m)	I(m)
		W(4mm)	55.2	22.2	11.0	5.5
		W(8-32mm)	110.3	44.5	22.1	11.0
T		441.4	178.0	88.3	44.1	
Intelligence						
Target/Body	Target	Target detection/Target enhancement/Target attribute recognition				
	Target recognition	Supported				
	Person	Person detection/Personal attribute recognition				
Vehicle	Vehicle analysis	Vehicle color/Vehicle type/Vehicle model				
	Traffic flow statistics	Motor vehicle/Non-motorized vehicle/Pedestrian				
Other intelligences	Omni-Data Structuring	Supported				
	Behavior analysis	Fast movement/Tripwire crossing/Intrusion/Area entry or exit /Loitering				
	Crowd flow analysis	Queue length/Head counting/Crowd flow statistics				
	Non-motorized vehicle	Supported				
	Multi-algorithm switchover	Supported				
	Defocus	Supported				
	Alarm information	No SD card; SD card full; SD card error; Network disconnection; Defocus detection; IP Address Conflict Detection				
Open ecosystem						
Algorithm openness	Open OS	Supported				
Data openness	Data openness	SDK (proprietary protocol)/REST API (proprietary protocol)/GA/T 1400/GB/T 28181 (2011, 2016) /ONVIF Profile S/G/T				
Image						
	Video encoding format	MJPEG/H.264/H.265				

Codec	Video encoding channels	Triple streams
	Intelligent encoding	Extra265/264
	Video frame rate	Wide-angle prime lens: configurable (30 fps or 25 fps) Zoom lens: configurable (30 fps or 25 fps)
Image AI	Scene adaptation	Backlight adaptation/Overcast adaptation
Image ISP	Min illumination	Color: 0.0004 lux (F1.2, AGC ON, 1/30s shutter speed); B/W: 0.0001 lux (F1.2, AGC ON, 1/30s shutter speed) or 0 lux (infrared illuminator enabled)
	Day/Night mode	Supported; automatic (ICR), color (default), B/W, and scheduled Sensitivity level: high (default), medium, and low Image triggering /Internal triggering
	WDR	120 dB
	White balance	Auto/Manual/OnePush
	HLC/BLC	Supported/Supported
	Digital noise reduction	2D/3D noise reduction
	Shutter speed	Supports slow shutter. Slow shutter speed levels: 1/3, 1/4, 1/8, 1/12, 1/15 Non-slow shutter speed levels: 1/25, 1/30, 1/50, 1/60, 1/90, 1/100, 1/120, 1/125, 1/180, 1/250, 1/350, 1/500, 1/725, 1/1000, 1/1500, 1/2000, 1/3000, 1/4000, 1/6000, 1/10000, 1/30000, 1/100000, custom Non-slow shutter speed levels in full intelligence or face checkpoint mode: 1/25, 1/50, 1/60, 1/90, 1/100, 1/120, 1/125, 1/180, 1/250, 1/350, 1/500, 1/725, 1/1000, 1/1500, 1/2000, 1/3000, 1/4000, 1/6000, 1/10000, 1/30000, 1/100000, custom Non-slow shutter speed levels in full intelligence or micro checkpoint mode: 1/100, 1/120, 1/125, 1/180, 1/250, 1/350, 1/500, 1/725, 1/1000, 1/1500, 1/2000, 1/3000, 1/4000, 1/6000, 1/10000, 1/30000, 1/100000, custom Default: 1/25 Full intelligence mode: Slow shutter is not supported. Face checkpoint: 1/100; Micro checkpoint: 1/250. Face checkpoint: 1/100 Micro checkpoint: 1/250 Behavior analysis: 1/25
	Signal-to-Noise Ratio(SNR)	>45dB
	Primary stream resolution	Wide-angle prime lens: 2560 x 1440 (4MP), 2304 x 1296 (3MP), 1920 x 1080 (1080p), 1280 x 720 (720p) Zoom lens: 2560 x 1440 (4MP), 2304 x 1296 (3MP), 1920 x 1080 (1080p), 1280 x 720 (720p)
	Secondary stream resolution	Wide-angle prime lens: Secondary stream 1: 720 x 576 (PAL), 720 x 480 (NTSC), 352 x 288 (PAL), 352 x 240 (NTSC) Secondary stream 2: 352 x 288 (PAL), 352 x 240 (NTSC) Zoom lens: Secondary stream 1: 720 x 576 (PAL), 720 x 480 (NTSC), 352 x 288 (PAL), 352 x 240 (NTSC) Secondary stream 2: 352 x 288 (PAL), 352 x 240 (NTSC)
	Video bit rate	Only for H.264 and H.265: 1080P ~4K 512Kbps ~ 16Mbps 720P 384Kbps ~ 8Mbps D1 256K ~ 4Mbps CIF 32K ~ 1Mbps
Smart Illumination	Not Supported	
Optical Defogging/Algorithm-assisted Defogging	Not Supported/Supported	
EIS	Supported. Sensitivity levels are not supported.	

Audio		
Audio	Audio Encoding Format	G.711a/G.711u/G.726/OPUS
	Audio sampling rate	G.711a/G.711u/G.726: 8 kHz OPUS: 8/12/16/24/48 kHz
	Audio bit rate	G.711a/G.711u: 64 kbit/s G.726: configurable (16/24/32/40 kbit/s) OPUS: configurable (16/24/32/40/64/96/128/160/192/224/256/288 kbit/s)

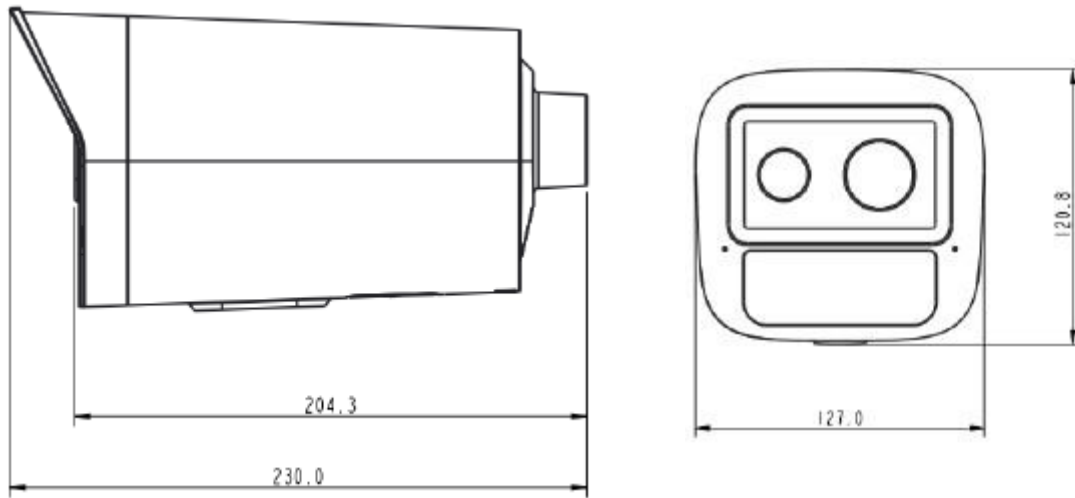
Networking		
Network transmission	Protocols supported by IPv4	TCP, IPv4, UDP, DHCP, DNS, ICMP, IGMP, HTTPS, FTP, SFTP, RTP, RTSP, RTCP, SIP, ARP, SSL, NTP, SNMP (V1/V2/V3), 802.1X, QoS, SMTP, and PPPOE; Note: The northbound protocol needs to adapt to the PPPoE dialup scenario.
	Protocols supported by IPv6	HTTPS,RTP,RTCP,Onvif,RTSP,IPv6,ICMPv6,DHCPv6

Security		
Data security	Media security	Supports web- or SDK-based media stream encryption; supports a maximum of two channels of encrypted media streams; media stream encryption and full intelligence, target recognition, or image upload through SFTP/FTP cannot be enabled at the same time; after the intelligent analysis function is enabled, only one-channel stream encryption is supported; supports encrypted data storage on SD cards.
	Video digital watermark	Supported
	Image digital watermark	Supported
Service security	User rights	Three user roles: administrator, advanced operator, and common operator
	Security mode	User name and password authentication, 802.1X authentication, and HTTPS digital certificate
	Secure boot	Supported

Port	
Storage port	MicroSD card slot that supports microSDHC/microSDXC; maximum memory card capacity: 256 GB
Alarm port	2 input ports and 1 output port
Network port	One RJ45 10M/100M adaptive Ethernet port
Communication serial port	RS-485 port
Audio port	Supported (one-channel LINE IN and two-channel built-in MIC)/Supported (one-channel LINE OUT or one-channel speaker)

General Specifications	
Power type	24 V AC and PoE (IEEE802.3at)
Power consumption	Maximum:14.5W,typical7W
Operating temperature	-30°C to +60°C
Operating humidity	5% to 95% (non-condensing)
Surge protection	4 kV
IP rating	IP67
Equipment Anti Corrosion	Class C corrosion resistance
IK rating	IK10
Weight	Net weight 2.0 kg;Gross weight 2.3 kg
Dimensions	Device dimensions 176.3 mm x 127 mm x 119.3 mm;Package dimensions 285 mm x 184 mm x 156 mm

Dimensions



Recommended Accessories



ACC3211



ACC3282



ACC3231



ACC3280

HOLOWITS Contact

Address : 6 Temasek Boulevard, 29th Floor, Suntec Tower Four, Singapore 038986

Web : www.hollowits.com

Copyright 2022. All rights reserved © HOLOWITS TECHNOLOGIES PTE. LTD.
No part of this document may be reproduced or transmitted in any form or by any means without prior written consent of HOLOWITS TECHNOLOGIES PTE. LTD.

General Disclaimer

The information in this document may contain predictive statements including, without limitation, statements regarding the future financial and operating results, future product portfolio, new technology, etc. There are a number of factors that could cause actual results and developments to differ materially from those expressed or implied in the predictive statements. Therefore, such information is provided for reference purposes only and constitutes neither an offer nor an acceptance. HOLOWITS may change the information at any time without notice.



Product selector

Scan the QR code on the right to view and compare specifications of HOLOWITS products and select the best camera for you.