

## HWT-M7641-10 - Z23-RT

2T 4MP Microwave AI PTZ Dome  
Camera



### ☰ Features

- 2 TOPS computing power
- Supports behavior analysis, crowd flow analysis, target detection, person detection.
- Supports backlight adaptation, overcast adaptation, and speed adaptation 1/1.8" CMOS sensor
- Online loading and upgrade of algorithms
- 120dB super wide dynamic range (WDR), ensuring that both foreground and background objects are clearly identified in environments with sharp light contrast
- Supports VideoX
- Supports solar power supply

## Technical Specifications

Model		HWT-M7641-10-Z23-RT			
Major Specifications					
Main control	Computing power	2 TOPS			
	Memory	DDR4 2.0 GB			
	Flash type	SPI NAND FLASH 512.0 MB			
	Max capacity	Provides one MicroSD card slot that supports microSDHC /microSDXC (maximum memory card capacity: 256 GB).			
Camera	Focal length	6.1-140mm			
	Max Aperture	F1.61(W)-F4.13(T)			
	Image sensor	1/1.8" CMOS/4MP 2560(H)*1440(V)			
	Lens aperture type	P-iris (DC iris+Hall sensor)			
	Angle of view	Horizontal:3.4°(T) to 55.4°(W) Vertical:1.9°(T) to 33.0°(W)			
	IR range	200m			
	Digital zoom/Optical zoom	16X/23X			
	DORI (Complied to the EN 62676-4)		D(m)	O(m)	R(m)
	W	81.3	32.8	16.3	8.1
	T	1866.7	752.7	373.3	186.7
PTZ	PTZ rotation angle	Pan: 0°~360° Vertical-15°~90°			
	Pan speed	Manual: :0.1 to 160°/s Speed for moving to the preset position:240°/s			
	Tilt speed	Manual: :0.1 to 30°/s Speed for moving to the preset position:50°/s			
	Park action	Supported			
	Tour	Supported			
	Preset position	256 (including one home position)			
	Home position	One home position			
Featured functions					
Featured functions	Sleep And Wakeup	Supports scheduled wakeup			
	Solar Power Supply	Supports solar power supply and solar panel management			
Intelligence					
Target/Body	Target	Target detection/Target enhancement/Target attribute recognition			
	Target recognition	Supported			
	Person	Person detection/Personal attribute recognition			
Other intelligences	Behavior analysis	Fast movement/Tripwire crossing/Intrusion/Area entry or exit /Loitering			
	Crowd flow analysis	Queue length/Head counting/Crowd flow statistics			
	Defocus	Supported			
	Alarm information	No SD card; SD card full; SD card error; Network disconnection; Defocus detection; IP Address Conflict Detection			
Open ecosystem					
Algorithm openness	Open OS	Supported			

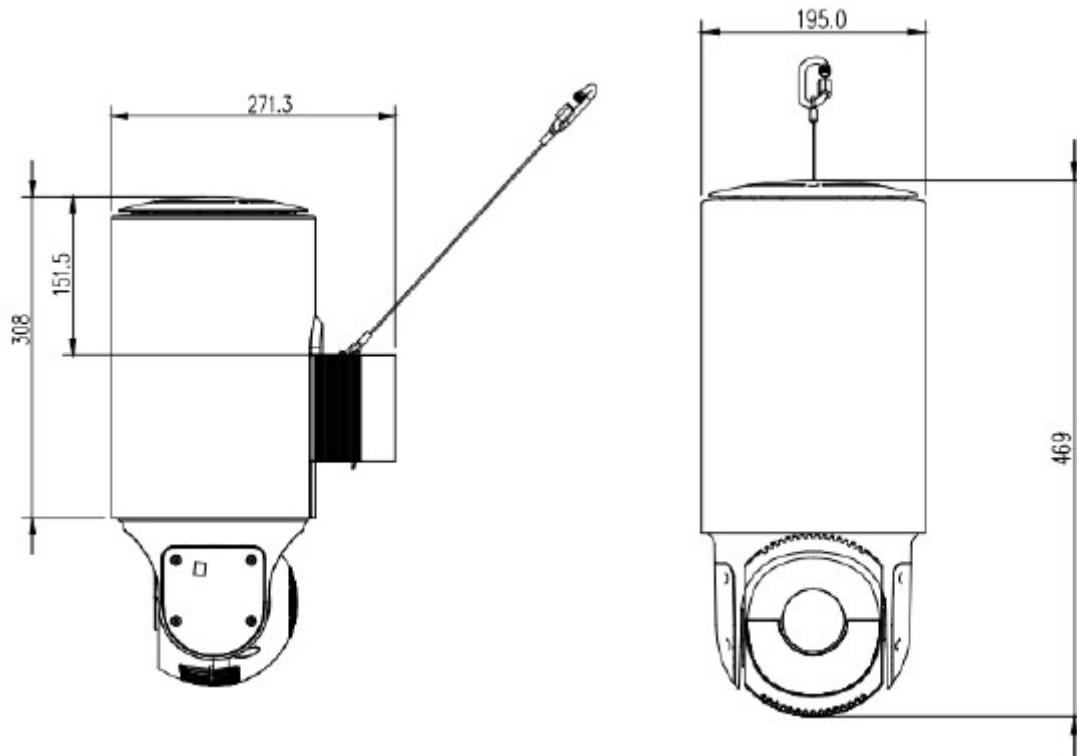
Data openness	Data openness	SDK (proprietary protocol)/REST API (proprietary protocol)/GA/T 1400/GB/T 28181 (2011, 2016) /ONVIF Profile S/G/T
<b>Image</b>		
Codec	Video encoding format	MJPEG/H.264/H.265
	Video encoding channels	Triple streams
	Intelligent encoding	Extra265/264
	Video frame rate	Configurable (30 fps or 25 fps); default value: 25 fps
Image AI	Scene adaptation	Backlight adaptation/Overcast adaptation/Speed adaptation
Image ISP	Min illumination	Color: 0.001 lux (F1.2, AGC ON, 1/30s shutter speed) B/W: 0.0001 lux (F1.2, AGC ON, 1/30s shutter speed)
	Day/Night mode	Supported; automatic (ICR)/Color/B/W; default: automatic Sensitivity level: high (default), medium, and low Image triggering/Internal triggering
	WDR	120dB
	White balance	Auto/Manual/OnePush
	HLC/BLC	Supported/Supported
	Digital noise reduction	2D/3D noise reduction
	Shutter speed	1/3s to 1/68250s: The level drop-down list box is added, and the time can be manually set. Slow shutter level: 1/3,1/4,1/8,1/12,1/15; Non-slow shutter level: 1/25,1/30,1/50,1/60,1/90,1/100,1/120,1/125,1/180,1/250,1/350,,1/500,1/725,1/1000,1/1500,1/2000,1/3000,1/4000,1/6000,1/10000,1/30000,1/100000;; Default value: 1/25
	Signal-to-Noise Ratio(SNR)	>45dB
	Primary stream resolution	2560×1440(4MP),2304×1296(3MP),1920×1080(1080P),1280×720(720P)
	Secondary stream resolution	Secondary stream 1:720 x 576 (PAL), 720 x 480 (NTSC), 352 x 288 (PAL), 352 x 240 (NTSC) Secondary stream 2:352 x 288 (PAL), 352 x 240 (NTSC)
	Video bit rate	Only for H.264 and H.265 1080P-4K 512Kbps - 16Mbps 720P 384Kbps - 8Mbps D1 256K - 4Mbps CIF 32K - 1Mbps
Smart Illumination	Not Supported	
Optical Defogging/Algorithm-assisted Defogging	Not Supported/Supported	
EIS	Supported; Supports sensitivity levels.	
<b>Audio</b>		
Audio	Audio Encoding Format	G.711a/G.711u/G.726/OPUS
	Audio sampling rate	G.711a/G.711u/G.726: 8 kHz OPUS: 8/12/16/24/48 kHz
	Audio bit rate	G.711a/G.711u: 64 kbit/s G.726: configurable (16/24/32/40 kbit/s) OPUS: configurable (16/24/32/40/64/96/128/160/192/224/256/288 kbit/s)
<b>Networking</b>		
Network transmission	Protocols supported by IPv4	TCP,UDP,IPv4,DHCP,DNS,ICMP,IGMP,HTTPS,FTP,SFTP,RTP,RTSP, RTCP,SIP,ARP,SSL,NTP,SNMP(V1/V2/V3),802.1x,QoS,SMTP
	Protocols supported by IPv6	HTTPS,RTP,RTCP,RTSP,Onvif,IPv6,ICMPv6,DHCPv6

Security		
Data security	Media security	AES256-based SDK stream encryption
	Video digital watermark	Supported
	Image digital watermark	Supported
Service security	User rights	Three user roles: administrator, advanced operator, and common operator
	Security mode	User name and password authentication, 802.1X authentication, and HTTPS digital certificate
	Secure boot	Supported
	System intrusion detection	Supported

Port	
Storage port	Provides one MicroSD card slot that supports microSDHC/microSDXC (maximum memory card capacity: 256 GB).
Alarm port	4 input port and 2 output port
Network port	One RJ45 10M/100M adaptive Ethernet port
Communication serial port	RS-485 port
Audio port	Supported (one-channel LINE IN or one-channel external MIC)/Supported (one-channel LINE OUT)

General Specifications	
Power type	DC12V(DC10.8V to DC15V)
Power consumption	Maximum: 28.5 W; typical: 11.1W; low power consumption in sleep mode: 1.2 W
Operating temperature	-40°C to 60°C
Operating humidity	5% to 95%(non-condensing)
Surge protection	6kV
IP rating	IP66
Equipment Anti Corrosion	Class C corrosion resistance
Weight	Net weight 6.0kg;Gross weight 7.4kg
Dimensions	Device dimensions 195mm×271mm×470mm;Package dimensions 575mm×380mm×320mm

## Dimensions



## Recommended Accessories



ACC3631



ACC3621



ACC3632

## HOLOWITS Contact

Address : 6 Temasek Boulevard, 29th Floor, Suntec Tower Four, Singapore  
038986

Web : [www.hollowits.com](http://www.hollowits.com)

Copyright 2022. All rights reserved © HOLOWITS TECHNOLOGIES PTE. LTD.  
No part of this document may be reproduced or transmitted in any form or by any means without prior written consent of HOLOWITS TECHNOLOGIES PTE. LTD.

## General Disclaimer

The information in this document may contain predictive statements including, without limitation, statements regarding the future financial and operating results, future product portfolio, new technology, etc. There are a number of factors that could cause actual results and developments to differ materially from those expressed or implied in the predictive statements. Therefore, such information is provided for reference purposes only and constitutes neither an offer nor an acceptance. HOLOWITS may change the information at any time without notice.



## Product selector

Scan the QR code on the right to view and compare specifications of HOLOWITS products and select the best camera for you.