

## HWT-D3040-10-ELI- PV (2.8 mm)

1T 4MP IR/White-Light Full-Color AI  
Bullet Camera with Intercom



### Features

- ▶ 1 TOPS computing power
- ▶ Support behavior analysis, which includes deep learning-based perimeter detection algorithm, effectively counteracting interference caused by lighting and shadows and classifying persons, motor vehicles, and non-motorized vehicles
- ▶ Supports backlight adaptation
- ▶ 1/2.7" CMOS sensor
- ▶ 120 dB super wide dynamic range (WDR), ensuring that both foreground and background objects are clearly identified in environments with sharp light contrast
- ▶ Supports IR/white-light compensation and voice intercom
- ▶ Supports detection of Power over Ethernet (PoE)

## Technical Specifications

Model		HWT-D3040-10-ELI-PV (2.8 mm)				
Major Specifications						
Main control	Computing power	1 TOPS				
	Memory	DDR3 0.256 GB				
	Flash type	SPI NAND FLASH 128.0 MB				
Camera	Focal length	2.8 mm				
	Max Aperture	F1.6				
	Image sensor	1/2.7" CMOS/4-megapixel: 2688 (H) x 1520 (V)				
	Lens aperture type	Fixed iris				
	Angle of view	Horizontal: 101.4°; vertical: 54.6°				
	IR range	30 m				
	Illumination distance	20 m				
	Digital Zoom	Not Supported				
	DORI (Complied to the EN 62676-4)		D(m)	O(m)	R(m)	I(m)
		W	56.0	22.6	11.2	5.6
	Intelligence					
Other intelligences	Behavior analysis	Fast movement/Tripwire crossing/Intrusion/Area entry or exit /Loitering				
	Alarm information	No SD card; SD card full; SD card error; Network disconnection; Defocus detection; IP Address Conflict Detection				
Open ecosystem						
Data openness	Data openness	SDK (proprietary protocol)/REST API (proprietary protocol)/GB/T 28181 (2011, 2016)/ONVIF Profile S/G/T				
Image						
Codec	Video encoding format	MJPEG/H.264/H.265				
	Video encoding channels	Dual streams				
	Intelligent encoding	Extra265/264				
	Video frame rate	25 fps				
Image AI	Scene adaptation	Backlight adaptation				
Image ISP	Min illumination	Color: 0.005 lux (F1.2, AGC ON, 1/30s shutter speed); B/W: 0.0025 lux (F1.2, AGC ON, 1/30s shutter speed) or 0 lux (infrared illuminator enabled)				
	Day/Night mode	Supported; automatic (ICR), color, B/W, and scheduled (default: automatic) Sensitivity level: high (default), medium, and low Image triggering/Internal triggering				
	WDR	120 dB				
	White balance	Auto/Manual/OnePush				
	HLC/BLC	Supported/Supported				
	Digital noise reduction	2D/3D noise reduction				
	EIS	The function is not supported. Sensitivity levels are not supported.				

Image ISP	Shutter speed	Supports slow shutter; Slow shutter speed levels: 1/3s, 1/4s, 1/8s, 1/12s, 1/15s; Non-slow shutter speed levels: 1/25s, 1/30s, 1/50s, 1/60s, 1/90s, 1/100s, 1/120s, 1/125s, 1/180s, 1/250s, 1/350s, 1/500s, 1/725s, 1/1000s, 1/1500s, 1/2000s, 1/3000s, 1/4000s, 1/6000s, 1/10000s, 1/30000s, 1/100000s, and customized; Full intelligence or target checkpoint mode: 1/25s, 1/30s, 1/50s, 1/60s, 1/90s, 1/100s, 1/120s, 1/125s, 1/180s, 1/250s, 1/350s, 1/500s, 1/725s, 1/1000s, 1/1500s, 1/2000s, 1/3000s, 1/4000s, 1/6000s, 1/10000s, 1/30000s, 1/100000s, and customized; Full intelligence or micro checkpoint mode: 1/100s, 1/120s, 1/125s, 1/180s, 1/250s, 1/350s, 1/500s, 1/725s, 1/1000s, 1/1500s, 1/2000s, 1/3000s, 1/4000s, 1/6000s, 1/10000s, 1/30000s, 1/100000s, and customized; Behavior analysis: 1/25s
	Signal-to-Noise Ratio(SNR)	> 45 dB
	Primary stream resolution	2560 x 1440 (4MP), 1920 x 1080 (1080p), and 1280 x 720 (720p)
	Secondary stream resolution	Secondary stream 1: 720 x 576 (PAL), 720 x 480 (NTSC), 352 x 288 (PAL), 352 x 240 (NTSC)
	Video bit rate	Only for H.264 and H.265: 1080p to 4K: 512 kbit/s to 8 Mbit/s 720p: 384 kbit/s to 4 Mbit/s D1: 256 kbit/s to 2 Mbit/s CIF: 32 kbit/s to 1 Mbit/s
	Smart Illumination	Not Supported
	Optical Defogging/Algorithm-assisted Defogging	Not Supported/Supported

Audio		
Audio	Audio Encoding Format	G.711a/G.711u/G.726/OPUS/AAC
	Audio sampling rate	"G.711a/G.711u/G.726: 8 kHzOPUS: 8/12/16/24/48 kHz" G.711a/G.711u: 64 kbit/s; G.726: configurable (16/24/32/40 kbit/s); OPUS: configurable (16/24/32/40/64/96/128/160/192/224/256/288 kbit/s)
	Audio bit rate	"G.711a/G.711u/G.726: 8 kHzOPUS: 8/12/16/24/48 kHz" G.711a/G.711u: 64 kbit/s; G.726: configurable (16/24/32/40 kbit/s); OPUS: configurable (16/24/32/40/64/96/128/160/192/224/256/288 kbit/s)

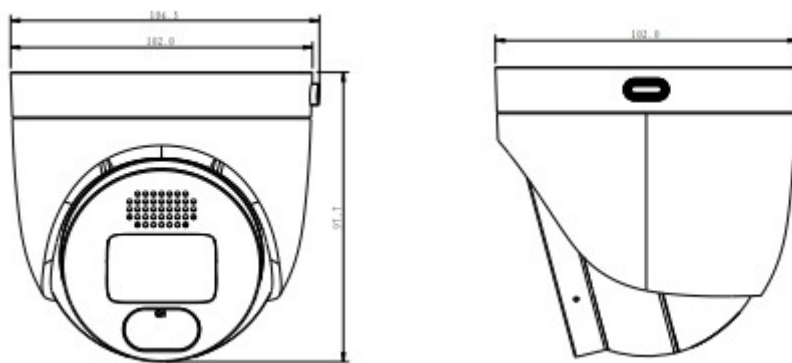
Security		
Data security	Media security	Supports web- or SDK-based media stream encryption; supports a maximum of two channels of encrypted media streams; media stream encryption and full intelligence, target recognition, or image upload through SFTP/FTP cannot be enabled at the same time; after the intelligent analysis function is enabled, only one-channel stream encryption is supported; supports encrypted storage of data in SD cards. By default, RTSP uses MD5 digest authentication.
	Video digital watermark	Supported
	Image digital watermark	Supported
Service security	User rights	Three user roles: administrator, advanced operator, and common operator
	Security mode	User name and password authentication, 802.1X authentication, and HTTPS digital certificate
	Secure boot	Supported
	System intrusion detection	Supported

Networking		
Network transmission	Protocols supported by IPv4	TCP, UDP, IPv4, DHCP, DNS, ICMP, IGMP, HTTPS, FTP, SFTP, RTP, RTSP, RTCP, SIP, ARP, SSL, NTP, 802.1X, QoS, and SMTP
	Protocols supported by IPv6	HTTPS, RTP, RTCP, RTSP, ONVIF, IPv6, ICMPv6, and DHCPv6

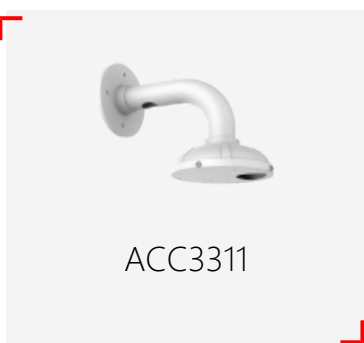
Port	
Storage port	Provides one microSD card slot that supports microSDHC/microSDXC (maximum memory card capacity: 256 GB).
Network port	One RJ45 10M/100M adaptive Ethernet port
Audio port	Supported (one-channel built-in MIC)/Supported (one-channel speaker)

General Specifications	
Power type	12 V DC and PoE (IEEE 802.3af)
Power consumption	Maximum: 12.2 W; typical: 8.2 W
Operating temperature	-30°C to +60°C
Operating humidity	5% to 95% (non-condensing)
Surge protection	2 kV
IP rating	IP67
Equipment Anti Corrosion	Class C corrosion resistance
Weight	Net weight 0.387 kg;Gross weight 0.098 kg
Dimensions	Device dimensions 97 mm x 103 mm x 103 mm;Package dimensions 115 mm x 125 mm x 113 mm

## Dimensions



## Recommended Accessories



## HOLOWITS Contact

Address : 6 Temasek Boulevard, 29th Floor, Suntec Tower Four, Singapore  
038986

Web : [www.hollowits.com](http://www.hollowits.com)

Copyright 2022. All rights reserved © HOLOWITS TECHNOLOGIES PTE. LTD.  
No part of this document may be reproduced or transmitted in any form or by any means without prior written consent of HOLOWITS TECHNOLOGIES PTE. LTD.

## General Disclaimer

The information in this document may contain predictive statements including, without limitation, statements regarding the future financial and operating results, future product portfolio, new technology, etc. There are a number of factors that could cause actual results and developments to differ materially from those expressed or implied in the predictive statements. Therefore, such information is provided for reference purposes only and constitutes neither an offer nor an acceptance. HOLOWITS may change the information at any time without notice.



## Product selector

Scan the QR code on the right to view and compare specifications of HOLOWITS products and select the best camera for you.