

## HWT-C6620-10-Z33

1T 2MP Intelligent PTZ Dome Camera



### Features

- ▶ 1TOPS computing power
- ▶ Supports crowd flow analysis, object (motor vehicle, non-motorized vehicle, and pedestrian) classification, vehicle recognition, vehicle event detection, and traffic flow statistics
- ▶ Supports backlight adaptation, overcast adaptation, and speed adaptation
- ▶ 1/2.7" CMOS sensor
- ▶ Online loading and upgrade of algorithms
- ▶ 120 dB super wide dynamic range (WDR), ensuring that both foreground and background objects are clearly identified in environments with sharp light contrast

## Technical Specifications

Model		HWT-C6620-10-Z33			
Major Specifications					
Main control	Computing power	1TOPS			
	Memory	DDR3 0.5 GB			
	Flash type	SPI NAND Flash 512.0 MB			
	Max capacity	MicroSD card slot that supports microSDHC/microSDXC; maximum memory card capacity: 256 GB			
Camera	Focal length	5-165mm			
	Max Aperture	F1.6 (W) to F4.4 (T)			
	Image sensor	1/2.7" CMOS/2MP 1920(H)*1080(V)			
	Lens aperture type	DC-Iris			
	Angle of view	Horizontal: 2.4° (T) to 59° (W); vertical: 1.4° (T) to 33.6° (W)			
	IR range	200m			
	Digital Zoom/Optical Zoom	16X/33X			
	DORI (Complied to the EN 62676-4)		D(m)	O(m)	R(m)
W	69.0	27.8	13.8	6.9	
T	2275.9	917.7	455.2	227.6	
PTZ	PTZ rotation angle	Pan: 0° to 360° Tilt: -15° to +90°			
	Pan speed	Manual: 0.1-160°/s Speed for moving to the preset position: 240°/s			
	Tilt speed	Manual: 0.1-120°/s Speed for moving to the preset position: 200°/s			
	Park action	Supported			
	Tour	Supported			
	Preset position	256 (including one home position)			
	Home position	One home position			
Intelligence					
Vehicle	Vehicle analysis	Vehicle color/Vehicle type			
	Traffic flow statistics	Motor vehicle/Non-motorized vehicle/Pedestrian			
Other intelligences	Crowd flow analysis	Queue length/Head counting/Crowd flow statistics			
	Non-motorized vehicle	Supported			
	Alarm information	No SD card; SD card full; SD card error; Network disconnection; Defocus detection; IP Address Conflict Detection			
	Defocus	Supported			
Open ecosystem					
Algorithm openness	Open OS	Supported			
Data openness	Data openness	SDK (proprietary protocol)/REST API (proprietary protocol)/GA/T 1400/GB/T 28181 (2011, 2016)/ONVIF Profile S/G/T			
Image					
Codec	Video encoding format	MJPEG/H.264/H.265			
	Video encoding channels	Triple streams			
	Intelligent encoding	Extra265/264			

	Video frame rate	Configurable (60 fps, 50 fps, 30 fps, or 25 fps); default value: 25 fps
Image AI	Scene adaptation	Backlight adaptation/Overcast adaptation/Speed adaptation
	Min illumination	Color: 0.005 lux (F1.2, AGC ON, 1/30s shutter speed); B/W: 0.0005 lux (F1.2, AGC ON, 1/30s shutter speed)
Image ISP	Day/Night mode	Supported; automatic (ICR)/Color/B/W (default: automatic) Sensitivity level: high (default), medium, and low Image triggering /Internal triggering
	WDR	120 dB
	White balance	Auto/Auto tracking/Manual/OnePush
	HLC/BLC	Supported/Supported
	Digital noise reduction	2D/3D noise reduction
	Shutter speed	1/3s to 1/68250s: 1/3, 1/4, 1/8, 1/12, 1/15; Non-slow shutter level: 1/25,1/30,1/50,1/60,1/90,1/100,1/120,1/125,1/180,1/250,1/350,,1/500,1/725,1/1000,1/1500,1/2000,1/3000,1/4000,1/6000,1/10000,1/30000,1/100000 ;; Default value: 1/25
	Signal-to-Noise Ratio(SNR)	>45dB
	Primary stream resolution	1920×1080(1080P),1280×720(720P)
	Secondary stream resolution	Secondary stream 1:1920 x 1080 (1080p), 1280 x 720 (720p), 720 x 576 (PAL), 720 x 480 (NTSC) Secondary stream 2:720 x 576 (PAL), 720 x 480 (NTSC), 352 x 288 (PAL), 352 x 240 (NTSC)
	Video bit rate	Only for H.264 and H.265 1080P-4K 512Kbps - 16Mbps 720P 384Kbps - 8Mbps D1 256K - 4Mbps CIF 32K - 1Mbps
	Smart Illumination	Not Supported
	Alarm information	No SD card; SD card full; SD card error; Network disconnection; Defocus detection; IP Address Conflict Detection
	Optical Defogging/Algorithm-assisted Defogging	Not Supported/Supported
EIS	Supported Sensitivity levels are not supported.	

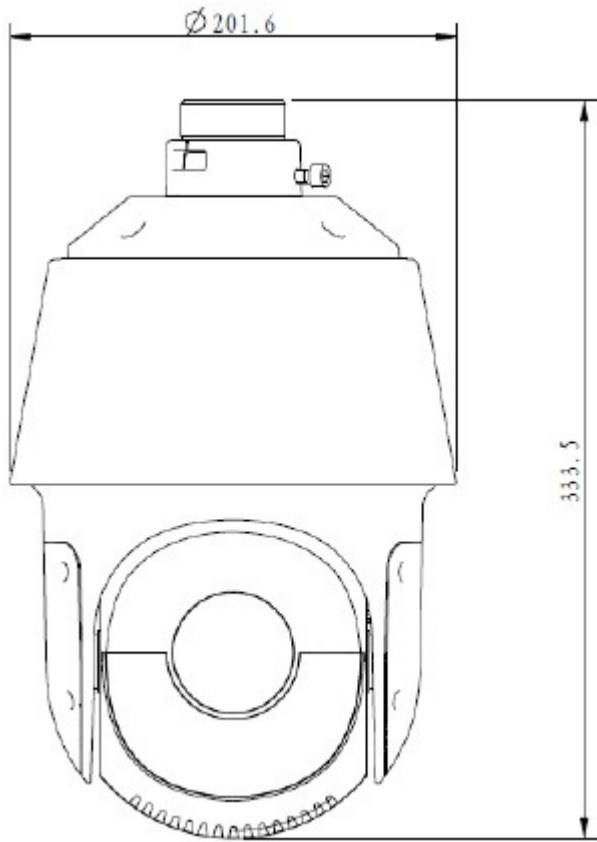
Audio		
Audio	Audio Encoding Format	G.711a/G.711u/G.726/OPUS
	Audio sampling rate	G.711a/G.711u/G.726:8K OPUS:8K/12K/16K/24K/48K
	Audio bit rate	G.711a/G.711u:64kbps G.726:16 kbit/s, 24 kbit/s, 32 kbit/s, or 40 kbit/s 16/24/32/40/64/96/128/160/192/224/256/288Kbps: configurable
Networking		
Network transmission	Protocols supported by IPv4	TCP,UDP,IPv4,DHCP,DNS,ICMP,IGMP,HTTPS,FTP,SFTP,RTP,RTSP, RTCP,SIP,ARP,SSL,NTP,SNMP(V1/V2/V3),802.1x,QoS,SMTP,PPPOE
	Protocols supported by IPv6	HTTPS,RTP,RTCP,RTSP,Onvif,IPv6,ICMPv6,DHCPv6
Security		
Data security	Media security	AES256-based SDK stream encryption; encrypted storage of video and images on SD cards

Service security	User rights	Three user roles: administrator, advanced operator, and common operator
	Security mode	User name and password authentication, 802.1X authentication, and HTTPS digital certificate
	Secure boot	Supported
	System intrusion detection	Supported

Port	
Storage port	MicroSD card slot that supports microSDHC/microSDXC; maximum memory card capacity: 256 GB
Alarm port	2 input ports and 1 output port
Network port	One RJ45 10M/100M adaptive Ethernet port
Audio port	Supported (one-channel LINE IN or one-channel external MIC)/Supported (one-channel LINE OUT)

General Specifications	
Power type	24 V AC and PoE (IEEE 802.3at)
Power consumption	Maximum: 22 W; typical: 6.5 W
Operating temperature	-30°C to +60°C (illuminator disabled) -30°C to +40°C (illuminator enabled)
Operating humidity	5% to 95% (non-condensing)
Surge protection	6 kV
IP rating	IP66
Equipment Anti Corrosion	Class C corrosion resistance
Weight	Net weight 3.7 kg; Gross weight 4.76 kg
Dimensions	Device dimensions $\varnothing$ 202 mm x 309 mm; Package dimensions 280 mm x 390 mm x 290 mm

## Dimensions



## Recommended Accessories



ACC3651



ACC3631



ACC3611



ACC3621

## HOLOWITS Contact

Address : 6 Temasek Boulevard, 29th Floor, Suntec Tower Four, Singapore  
038986

Web : [www.hollowits.com](http://www.hollowits.com)

Copyright 2022. All rights reserved © HOLOWITS TECHNOLOGIES PTE. LTD.  
No part of this document may be reproduced or transmitted in any form or by any means without prior written consent of HOLOWITS TECHNOLOGIES PTE. LTD.

## General Disclaimer

The information in this document may contain predictive statements including, without limitation, statements regarding the future financial and operating results, future product portfolio, new technology, etc. There are a number of factors that could cause actual results and developments to differ materially from those expressed or implied in the predictive statements. Therefore, such information is provided for reference purposes only and constitutes neither an offer nor an acceptance. HOLOWITS may change the information at any time without notice.



## Product selector

Scan the QR code on the right to view and compare specifications of HOLOWITS products and select the best camera for you.