

HWT-M2391-10-TL

2T 9MP ITS AI Bullet Camera



Features

- ▶ 2 TOPS computing power
- ▶ Supports vehicle detection, vehicle event detection, and traffic flow statistics
- ▶ Supports backlight adaptation and overcast adaptation
- ▶ 1" GS CMOS sensor
- ▶ Online loading and upgrade of algorithms
- ▶ Super wide dynamic range (WDR), ensuring that both foreground and background objects are clearly identified in environments with sharp light contrast

Technical Specifications

Model HWT-M2391-10-TL		
Major Specifications		
Main control	Computing power	2 TOPS
	Memory	DDR4 2.0 GB
	Flash type	SPI NAND FLASH 512.0 MB
	Max capacity	MicroSD card slot that supports microSDHC/microSDXC; maximum memory card capacity: 256 GB
Camera	Focal length	12/16/20/25/50/70mm,16-40mm
	Max Aperture	F1.4
	Image sensor	1" GS CMOS/9MP 4096(H)*2160(V)
	Lens aperture type	Manual iris
	Illumination distance	30m
Intelligence		
ITS	ePolice	Passing vehicle snapshot /Unsafe lane change/Road marking violation /Bus lane violation /Wrong-way driving /Vehicle running-red-light /Traffic light detector /Traffic light recognition /Speeding /Low-speed
	Checkpoint	Passing vehicle snapshot /Wrong-way driving /Speeding/Low-speed /Vehicle statistics
Vehicle	License plate recognition	License plates from the Chinese Mainland
	Vehicle analysis	Vehicle color/Vehicle type/Vehicle model
	Traffic flow statistics	Motor vehicle/Non-motorized vehicle/Pedestrian/Vehicle direction
Other intelligences	Non-motorized vehicle	Supported
	Defocus	Supported
	Alarm information	No SD card; SD card full; SD card error; Network disconnection; Defocus detection; IP Address Conflict Detection
Open ecosystem		
Algorithm openness	Open OS	Supported
Data openness	Data openness	SDK (proprietary protocol)/REST API (proprietary protocol)/GA/T 1400/GB/T 28181 (2011, 2016) /ONVIF Profile S/G/T
Image		
Codec	Video encoding format	MJPEG/H.264/H.265
	Video encoding channels	Triple streams
	Intelligent encoding	Extra265/264

	Video frame rate	Configurable (25 fps or 30 fps)
Image AI	Scene adaptation	Backlight adaptation/Overcast adaptation
Image ISP	Min illumination	Color: 0.005 lux (F1.2, AGC ON, 1/30s shutter speed); B/W: 0.0025 lux (F1.2, AGC ON, 1/30s shutter speed)
	Day/Night mode	Supported; automatic (ICR), color (default), B/W, and scheduled Sensitivity level: high (default), medium, and low Image triggering /Internal triggering
	WDR	Digital WDR
	White balance	Auto/Manual/OnePush
	Highlight compensation	Supported
	Digital noise reduction	2D/3D noise reduction
	Shutter speed	Slow shutter is not supported. Non-slow shutter speed levels: 1/30, 1/50, 1/60, 1/90, 1/100, 1/120, 1/125, 1/180, 1/250, 1/350, 1/500, 1/725, 1/1000, 1/1500, 1/2000, 1/3000, 1/4000, 1/6000, 1/10000, 1/30000, 1/100000, custom (default: 1/250) ePolice snapshot: 1/250 Checkpoint snapshot: 1/500
	Signal-to-Noise Ratio(SNR)	>45dB
	Primary stream resolution	4096×2160(4K),3840×2160(4K),3072×1728(5MP),2560×1440(4MP),2304×1296(3MP),1920×1080(1080P),1280×720(720P)
	Secondary stream resolution	Secondary stream 1: 1920 x 1080 (1080p), 1280 x 720 (720p), 720 x 576 (PAL), 720 x 480 (NTSC) Secondary stream 2: 720 x 576 (PAL), 720 x 480 (NTSC), 352 x 288 (PAL), 352 x 240 (NTSC)
	Video bit rate	Only for H.264 and H.265: 1080p to 4K: 512 kbit/s to 16 Mbit/s; 720p: 384 kbit/s to 8 Mbit/s; D1: 256 kbit/s to 4 Mbit/s; CIF: 32 kbit/s to 1 Mbit/s
	Smart Illumination	Not Supported
	Optical Defogging/Algorithm-assisted Defogging	Not Supported/Supported
EIS	Supported. Sensitivity levels are not supported.	

Audio		
Audio	Audio Encoding Format	G.711a/G.711u/G.726/OPUS
	Audio sampling rate	G.711a/G.711u/G.726: 8 kHz OPUS: 8/12/16/24/48 kHz
	Audio bit rate	G.711a/G.711u: 64 kbit/s G.726: configurable (16/24/32/40 kbit/s) OPUS: configurable (16/24/32/40/64/96/128/160/192/224/256/288 kbit/s)

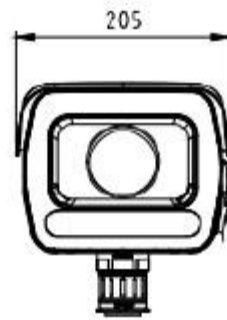
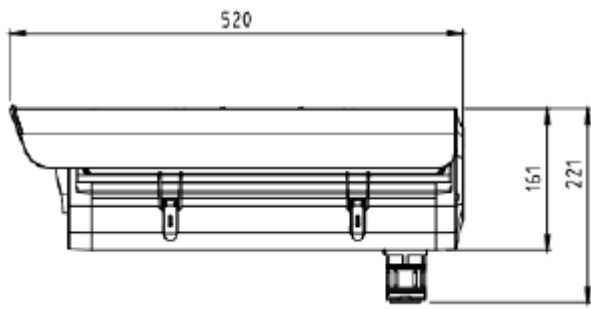
Networking		
Network transmission	Protocols supported by IPv4	TCP,IPv4,UDP,DHCP,DNS,ICMP,IGMP,HTTPS,FTP,SFTP,RTP,RTSP, RTCP,SIP,ARP,SSL,NTP,SNMP(V1/V2/V3),802.1x,QoS,SMTP
	Protocols supported by IPv6	HTTPS,RTP,RTCP,Onvif,RTSP,IPv6,ICMPv6,DHCPv6

Security		
Data security	Media security	Stream encryption using the AES128/192/256 encryption algorithm
	Video digital watermark	Supported
	Image digital watermark	Supported
Service security	User rights	Three user roles: administrator, advanced operator, and common operator
	Security mode	User name and password authentication, 802.1X authentication, and HTTPS digital certificate
	Secure boot	Supported
	System intrusion detection	Supported

Port	
Storage port	MicroSD card slot that supports microSDHC/microSDXC; maximum memory card capacity: 256 GB
Alarm port	4-channel optocoupler Boolean value output and 1-channel electromagnetic relay output
Network port	Two RJ45 10M/100M/1000M adaptive Ethernet ports
Communication serial port	RS-485 port
Audio port	Supported (one-channel LINE IN or one-channel external MIC)/Supported (one-channel LINE OUT)

General Specifications	
Power type	AC100~240V
Power consumption	Maximum: 52.7 W Typical: 10.9W
Operating temperature	-40°C to +60°C (illuminator disabled) -40°C to +40°C (illuminator enabled)
Operating humidity	5% to 95% (non-condensing)
Surge protection	6 kV
IP rating	IP65
Equipment Anti Corrosion	Class C corrosion resistance
Weight	Net weight 5.1 kg;Gross weight 6.53 kg
Dimensions	Device dimensions 515 mm x 209 mm x 164 mm;Package dimensions 590 mm x 325 mm x 280 mm

Dimensions



Recommended Accessories



ACC3282



ACC3231

HOLOWITS Contact

Address : 6 Temasek Boulevard, 29th Floor, Suntec Tower Four, Singapore 038986

Web : www.hollowits.com

Copyright 2022. All rights reserved © HOLOWITS TECHNOLOGIES PTE. LTD.
No part of this document may be reproduced or transmitted in any form or by any means without prior written consent of HOLOWITS TECHNOLOGIES PTE. LTD.

General Disclaimer

The information in this document may contain predictive statements including, without limitation, statements regarding the future financial and operating results, future product portfolio, new technology, etc. There are a number of factors that could cause actual results and developments to differ materially from those expressed or implied in the predictive statements. Therefore, such information is provided for reference purposes only and constitutes neither an offer nor an acceptance. HOLOWITS may change the information at any time without notice.



Product selector

Scan the QR code on the right to view and compare specifications of HOLOWITS products and select the best camera for you.