

HWT-D2150-10-SIU

1T 5MP AI IR Bullet Camera



☰ Features

- ▶ 1TOPS computing power
- ▶ Supports 1+ N, multi-algorithm switchover, behavior analysis, crowd flow analysis, target and person detection, object (motor vehicle, non-motorized vehicle, and pedestrian) classification, vehicle recognition, vehicle event detection, and traffic flow statistics
- ▶ Supports backlight adaptation and overcast adaptation
- ▶ 1/2.7" CMOS sensor
- ▶ Online loading and upgrade of algorithms
- ▶ 120 dB super wide dynamic range (WDR), ensuring that both foreground and background objects are clearly identified in environments with sharp light contrast
- ▶ Supports switchover among multiple algorithms

Technical Specifications

Model HWT-D2150-10-SIU		
Major Specifications		
Main control	Computing power	1TOPS
	Memory	DDR4 1.0 GB
	Flash type	SPI NAND FLASH 512.0 MB
	Max capacity	MicroSD card slot that supports microSDHC/microSDXC; maximum memory card capacity: 256 GB
Camera	Focal length	2.8-12mm
	Max Aperture	F1.6(W)-F3.2(T)
	Image sensor	1/2.7" CMOS/5MP 2560(H)*1920(V)
	Lens aperture type	Fixed iris
	Angle of view	W ≥:Horizontal95°; T ≤:Horizontal33°.
	IR range	50m
	Digital zoom	Supported
Intelligence		
Target/Body	Target	Target detection/Target attribute recognition
	Target recognition	Supported
	Person	Person detection
Vehicle	Vehicle analysis	Vehicle color/Vehicle type/Vehicle model
	Traffic flow statistics	Motor vehicle/Non-motorized vehicle/Pedestrian
Other intelligences	Behavior analysis	Fast movement/Tripwire crossing/Intrusion/Area entry or exit /Loitering/Battery Vehicle Detection
	Crowd flow analysis	Queue length/Head counting/Crowd flow statistics
	Non-motorized vehicle	Supported
	Multi-algorithm switchover	Supported
	Defocus	Supported
Open ecosystem		
Algorithm openness	Open OS	Supported
Data openness	Data openness	SDK (proprietary protocol)/REST API (proprietary protocol)/GA/T 1400/GB/T 28181 (2011, 2016)
Image		
Codec	Video encoding format	MJPEG/H.264/H.265
	Video encoding channels	Triple streams
	Intelligent encoding	Extra265/264
	Video frame rate	5-megapixel: 20 fps; < 5-megapixel: 30 fps or 25 fps


Image AI	Scene adaptation	Backlight adaptation/Overcast adaptation
	Min illumination	Color: 0.005 lux (F1.6, AGC ON); B/W: 0.0025 lux (F1.6, AGC ON) or 0 lux (infrared illuminator enabled)
Image ISP	Day/Night mode	Supported; automatic (ICR), color, B/W, and scheduled (default: automatic) Sensitivity level: high (default), medium, and low Image triggering/Internal triggering
	WDR	120db
	White balance	Auto/Manual/OnePush
	Highlight compensation	Supported
	Digital noise reduction	2D/3D noise reduction
	Defogging	Supported
	EIS	Supported; Sensitivity levels are not supported.

Networking		
Network support	1 + N	Supported
Network transmission	Protocols supported by IPv4	TCP, UDP, IPv4, DHCP, DNS, ICMP, IGMP, HTTPS, FTP, SFTP, RTP, RTSP, RTCP, SIP, ARP, SSL, NTP, SNMP (V1/V2/V3), 802.1X, QoS, SMTP, and PPPoE. Note: The northbound protocol needs to adapt to the PPPoE dialup scenario.
	Protocols supported by IPv6	HTTPS, RTP, RTCP, RTSP, Onvif, IPv6, ICMPv6, DHCPv6



Security		
Data security	Media security	Supports web- or SDK-based media stream encryption; supports a maximum of two channels of encrypted media streams; media stream encryption and full intelligence, target recognition, or image upload through SFTP/FTP cannot be enabled at the same time; after the intelligent analysis function is enabled, only one-channel stream encryption is supported; supports encrypted data storage on SD cards.
	Video digital watermark	Supported
	Image digital watermark	Supported
Service security	User rights	Three user roles: administrator, advanced operator, and common operator
	Security mode	User name and password authentication, 802.1X authentication, and HTTPS digital certificate
	Secure boot	Supported
	System intrusion detection	Supported

Port	
Storage port	MicroSD card slot that supports microSDHC/microSDXC; maximum memory card capacity: 256 GB
Alarm port	2 input port and 1 output port
Network port	One RJ45 10M/100M adaptive Ethernet port
Communication serial port	RS-485 port
Audio port	Supported (one-channel LINE IN or one-channel external MIC)/Supported (one-channel LINE OUT)

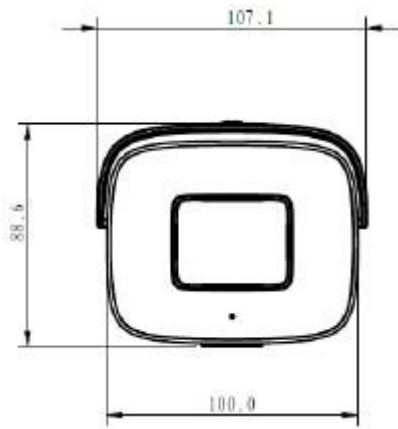
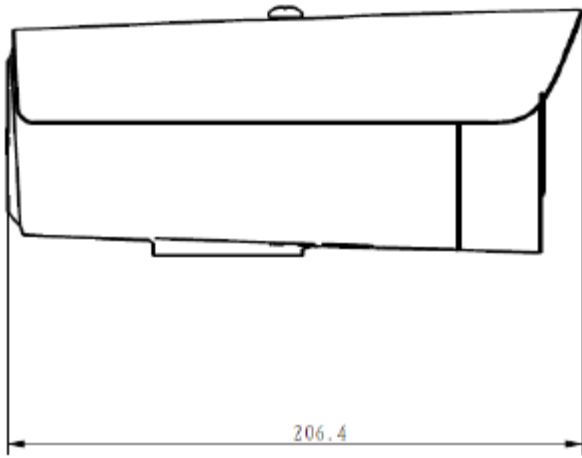
General Specifications



Power type	DC12V,PoE(IEEE 802.3af)
Power consumption	Maximum:12.2W,typical:3.2W
Operating temperature	-30°C to 55°C
Operating humidity	5% to 95%(non-condensing)
Surge protection	4kV
IP rating	IP67
Equipment Anti Corrosion	Class C corrosion resistance
Weight	Net weight 1.0kg;Gross weight 1.2kg
Dimensions	Device dimensions 88mm×107mm×206mm;Package dimensions 115mm×140mm×297mm



Dimensions



Recommended Accessories



ACC3217