

HWT-E6420-Z15

15X 2MP 150m IR Network PTZ Camera



Features

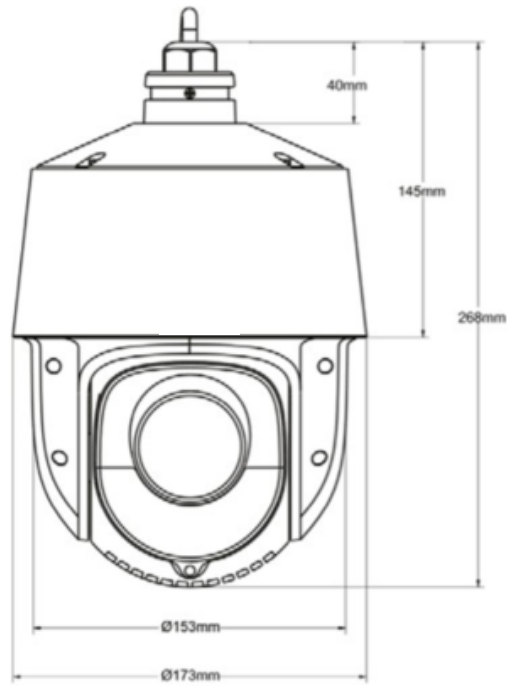
- ▶ 1/2.8" progressive scan CMOS
- ▶ Up to 1920×1080 resolution
- ▶ Min. illumination:
Color: 0.005 lux @ (F1.6 AGC ON)
B/W: 0.001 lux@ (F1.6 AGC ON)
0 Lux with IR
- ▶ 15x optical zoom
- ▶ 120 dB WDR, 3D DNR, Smart IR 150m
- ▶ Smart H.265/H.264
- ▶ ONVIF
- ▶ IP66, -30°C~55°C
- ▶ DC12V or PoE+ (802.3.at)

Technical Specifications

Model		HWT-E6420-Z15
Major Specifications		
Camera	Focal length	5-75mm
	Max Aperture	F1.6(W) to F2.8(T)
	Image sensor	1/2.8" CMOS
	Lens aperture type	Auto DC-IRIS
	Angle of view	Horizontal: 54° to 4° Vertical: 32° to 2.3° Diagonal: 64.5° to 4.6°
	IR range	150m
PTZ	PTZ rotation angle	Pan Range: 360° Tilt Range: -5° to 90°
	Pan speed	Configurable, from 0.1~80°/s; Preset speed: 80°/s
	Tilt speed	Configurable, from 0.1°~ 80°/s, Preset speed: 80°/s
	Park action	Support
	Tour	Support
	Preset position	360
	Home position	One home position
Image		
Codec	Video encoding format	Smart H.265/H.264/MJPEG
	Video encoding channels	Triple streams
	Video frame rate	Main stream: 1920x1080,1280x960,1280x720 25/30fps Sub stream: 25fps (704 × 576, 640 × 480, 352 × 288) 30fps (704 × 480, 640 × 480, 352 × 240) Third Stream: 25fps (1920 × 1080, 1280 × 960, 1280 × 720, 704 × 576, 640 × 480, 352 × 288) 30fps (1920 × 1080, 1280 × 960, 1280 × 720, 704 × 480, 640 × 480, 352 × 240)
Image ISP	Min illumination	Color: 0.005Lux @ (F1.6, AGC ON); B/W: 0.001Lux @(F1.6, AGC ON); 0Lux with IR
	Day/Night mode	IR Cut filter
	WDR	120 dB
	White balance	Auto/Manual/Indoor/Outdoor
	Highlight compensation	Support
	Digital noise reduction	Auto/Manual
	Defogging	Electronical
	EIS	Support

Networking		
Network transmission	Protocols	HTTP, HTTPS, IPv4/IPv6, 802.1x, QoS, FTP, SMTP, UPnP, SNMP, DNS, DDNS, NTP, RTSP, RTCP, RTP, TCP/IP, UDP, IGMP, ICMP, DHCP, PPPoE
Security		
Data security	Security Measures	User authentication (ID and PW), Host authentication (MAC address); HTTPS encryption, IEEE802.1x port-based network access control; IP address filtering
Port		
Storage port	Support microSD, up to 256G	
Alarm port	None	
Network port	1 RJ45 10M/100M Adaptive Ethernet (Support PoE 802.3.at)	
Audio port	None	
General Specifications		
Power type	DC12V or PoE+ (802.3.at)	
Power consumption	Max 22W	
Operating temperature	-30°C ~ 55°C (-22°F ~ 131°F)	
Operating humidity	90%RH (non-condensing)	
Surge protection	4000V Lightning Protection, Surge Protection and Voltage Transient Protection	
IP rating	IP66	
Material	Aluminum Alloy + Plastic	
Weight	Approx. 2.1 Kg(13.22 lb.)	
Dimensions	Φ 173mm × 247mm (6.8" Φ × 9.7")	

Dimensions



ACCESSORIES



ACC0808
Wall mounting bracket



ACC0808+ACC0501
Pole mounting bracket



ACC0808+ACC0601
Corner mounting bracket



ACC0807
Pendant mounting bracket